

**M12 male 0°/M12 female 90° shielded B-cod.Profibus**

PUR 1x2xAWG24 shielded vt UL/CSA+dragchain 10m

PROFIBUS

Male straight – female 90°

M12 – M12, 2-pole

B-coded

shielded

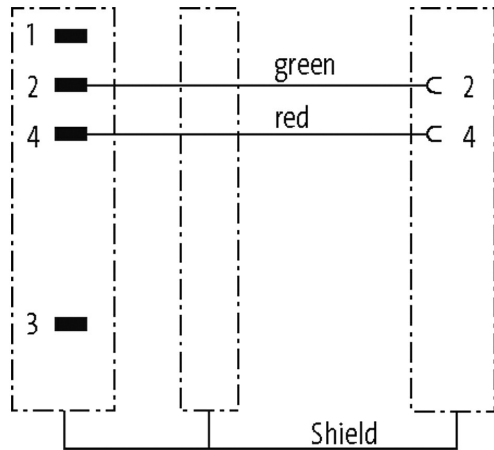
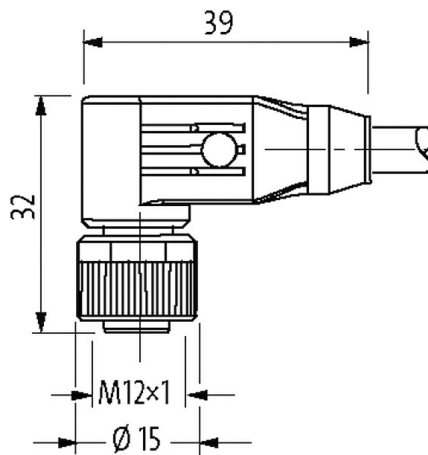
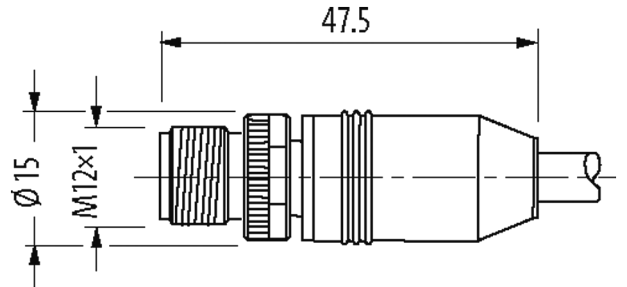
Plastic housings with good resistance against chemicals and oils.

The resistance to aggressive media should be individually tested for your application. Further details on request.

Further cable lengths on request.

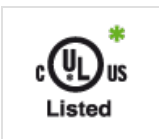
**Illustration**

stay connected



Product may differ from Image

Approvals



\* only for products with UL/CSA approved cable

More Info

**Form**

Form 44011

**Cables**

|                                 |  |
|---------------------------------|--|
| No./diameter of wires           | 1 × 2 × 0.25 mm <sup>2</sup>                   |
| Wire isolation                  | PE (rd, gn)                                    |
| C-track properties              | 10 Mio.  |
| Jacket Color                    | violet   |
| Material (jacket)               | PUR (UL/CSA)                                   |
| Outer Ø                         | 7.8 mm ±5%                                     |
| Bend radius (moving)            | 12× outer Ø                                    |
| Temperature range (fixed)       | -40...+80 °C                                   |
| Temperature range (mobile)      | -20...+60 °C                                   |
| Cable identification            | 840  |
| Approval (cable)                | UL (AWM-Style 20236/1589), CSA; CE             |
| Cable weight [g/m]              | 82,50  |
| Material (wire)                 | Cu wire, bare                                  |
| Resistor (core)                 | max. 78 Ω/km (20 °C)                           |
| Single wire Ø (core)            | 0.127 mm                                       |
| Construction (core)             | 19 × 0.127 mm                                  |
| Diameter (core)                 | 1 × 2 × 0.25 mm <sup>2</sup>                   |
| AWG                             | similar to AWG 24                              |
| Material (wire isolation)       | PE   |
| Wire-Ø incl. isolation          | 2.55 mm ±5%                                    |
| Color/numbering of wires        | rd, gn   |
| Stranding combination           | 2 wires twisted                                |
| Shield                          | yes  |
|                                 | min. 70%                                       |
| Material (jacket)               | PUR  |
| Outer-Ø (jacket)                | 7.8 mm ±5%                                     |
| Color (jacket)                  | violet   |
| chemical resistance             | good resistance to oil, gasoline and chemicals |
| thermal resistance              | flame retardant                                |
| Nominal voltage                 | 250 V  |
| Temperature range (fixed)       | -40...+80 °C                                   |
| Temperature range (mobile)      | -20...+60 °C                                   |
| Bend radius (fixed)             | 10× outer Ø                                    |
| Bend radius (moving)            | 12× outer Ø                                    |
| No. of bending cycles (C-track) | max. 10 Mio. (25 °C)                           |
| Traversing distance (C-track)   | max. 5 m (horizontal)                          |
| Travel speed (C-track)          | max. 3 m/s                                     |
| Acceleration (C-track)          | max. 5 m/s <sup>2</sup>                        |

**Technical Data**

|                                    |  |
|------------------------------------|--|
| Operating voltage                  | max. 60 V AC/DC  |
| Operating voltage (only UL listed) | max. 30 V AC/DC  |
| Operating current per contact      | max. 4 A   |
| Locking of ports                   | Screw thread (M12×1 mm) recommended torque 0.6 Nm, self-securing |

|                     |   |
|---------------------|---|
| Locking material    | Zinc die casting, matte nickel plated         |
| Protection          | IP66K, IP67 inserted and tightened (EN 60529) |
| Rated surge voltage | 1.5 kV  |

**Commercial data**

|                       |               |
|-----------------------|---------------|
| country of origin     | DE            |
| customs tariff number | 85444290      |
| EAN                   | 4048879353014 |
| eClass                | 27061801      |
| Packaging unit        | 1             |